



PRODUCT CATALOGUE

EFFECTIVE JANUARY 2020



Showroom: 210 Neilson Street, Onehunga, Auckland
www.cosell.co.nz | ph: (09) 527 0701 | email: sales@cosell.co.nz



CONTENTS

<p>Chillers - Counter Top and Under Bench 2</p> <p>Chillers - Under Bench and Small Vertical 3</p> <p>Chillers - Backbar and Bottle Coolers..... 4</p> <p>Chillers - Vertical Display..... 5</p> <p>Chillers - Vertical Display..... 6</p> <p>Freezers - Counter Top and Under Bench, Storage, Scoop Ice Cream and Gelato 7</p> <p>Freezers - Vertical Display 8</p> <p>Kitchen Storage and Preparation Cabinets..... 9</p> <p>Ice Machines & Blast Chillers / Freezers 10</p> <p>Horizontal Freezers - Storage and Display 11</p> <p>Chilled Food Displays - Café & Bakery, Deli & Meat Serve-overs & Heated Multi-Decks..... 12</p> <p>Counter Top Food Displays..... 13</p> <p>Multideck Chilled 14</p> <p>Multideck Chilled 15</p> <p>Glass Door Insert and Shelving System 16</p> <p>Glass Door Insert and Shelving System - Price list 17</p>	<p>Projects 18</p> <p>Projects 19</p> <p>Secondhand Hospitality Equipment - Silver Chef 20</p> <p>Supermarket Cabinets..... 21</p> <p>Remote Narrow Multi-deck Cabinets..... 22</p> <p>Remote Wide Multi-deck Cabinets 23</p> <p>Remote Low Height Cabinets 24</p> <p>Remote Glass Door Freezers and Chillers 25</p> <p>Remote Island Freezers 26</p> <p>Remote Serve-Over Cabinets 27</p> <p>Specialty Display - Cheese Island 28</p> <p>Condensing Units..... 29</p> <p>Parts and Accessories 30</p> <p>LED Lights - Glass Door Chiller or Freezer Inserts 31</p> <p>What Else Do We Do? Terms and Conditions 32</p>
--	--

DELLWARE DW40T (No Compressor) Silent Absorption Chiller

Dimensions:	402mm W x 440mm D x 560mm H	
Capacity:	40 litres	
Temperature range:	+2°C / +8°C	
Features:	Absorption cooling	Triple Glazed Glass door with lock
	Glass door with lock	Suitable for Hotels, Motels, Rest Homes & Offices
	Manual thermostat	

\$449



DELLWARE SC20 Counter Top Impulse Chiller

Dimensions:	356mm W x 420mm D x 480mm H	
Capacity:	20 litres (holds 2 x 2 litre milk bottles)	
Temperature range:	+1°C / +10°C	
Features:	Fan assisted cooling	LED internal light
	Glass door with lock	1 fixed shelf plus base shelf
	Manual thermostat	

\$540



DELLWARE SC20-MILK Counter Top Milk Chiller (for Automated Coffee Machines)

Dimensions:	356mm W x 420mm D x 480mm H	
Capacity:	20 litres (holds 2 x 2 litre milk bottles)	
Temperature range:	+1°C / +10°C	
Features:	Fan assisted cooling	LED internal light
	Glass door with lock	4 x 6mm milk hose holes per side
	Manual thermostat	

\$565



HUSKY SC50W Counter Top Impulse Chiller

Dimensions:	435mm W x 495mm D x 510mm H	
Capacity:	50 litres	
Temperature range:	+1°C / +10°C	
Features:	Fan assisted cooling	LED internal light
	Glass door with lock	
	2 x chrome wire shelf (3 adjustment points)	Manual thermostat

\$575



EXQUISITE CTD78 Counter Top 360° Impulse Chiller

Dimensions:	425mm W x 420mm D x 985mm H	
Capacity:	78 litres	
Temperature range:	+2°C / +12°C	
Features:	Fan assisted cooling	LED internal lighting
	Curved glass doors front and rear with lock	3 x adjustable chrome wire shelves
	Digital thermostat and temperature display	

\$995



DELLWARE SC60 Counter Top or Under Bench Chiller

Dimensions:	435mm W x 520mm D x 660mm H	
Capacity:	60 litres	
Temperature range:	+1°C / +10°C	
Features:	Fan assisted cooling	LED internal lighting
	Self closing glass door with lock	Black interior, black exterior
	2 adjustable shelves	Manual thermostat

\$685



DELLWARE J85 Under Bench Chiller

Dimensions:	506mm W x 565mm D x 780mm H	
Capacity:	85 litres	
Temperature range:	+1°C / +10°C	
Features:	Fan assisted cooling	LED internal lighting
	Curved double glazed glass door, with lock	3 adjustable shelves
	Manual thermostat	Digital temperature display

\$735



DELLWARE SC115 Under Bench Chiller

Dimensions:	600mm W x 505mm D x 870mm H	
Capacity:	115 litres	
Temperature range:	+1°C / +10°C	
Features:	Fan assisted cooling	LED Internal lighting
	Double glazed glass door, with lock	2 adjustable shelves
	Manual Thermostat	

\$965



UNIFRIGOR VPS/C014 Under Bench Chiller

Dimensions:	630mm W x 570mm D x 845mm H	
Capacity:	140 litres	
Temperature range:	+1°C / +10°C	
Features:	Fan assisted cooling	LED internal lighting
	Self closing glass door, with lock	3 adjustable shelves 1/1 gastronome
	Digital Controller and temperature display	*Matches VNS014 freezer

\$1550



TEFCOLD FS1220 Single Door Chiller

Dimensions:	595mm W x 600mm D x 1315mm H	
Capacity:	215 litres	
Temperature range:	+1°C / +10°C	
Features:	Fan assisted cooling	Internal light
	Glass door with lock	4 adjustable shelves
	Manual thermostat	

\$1450



CHILLERS - BACKBAR AND BOTTLE COOLERS

DELLWARE SC182H & SC182S Back Bar or Under Bench Chillers (Hinged and Sliding Doors)

Dimensions:	900mm W x 525mm D x 870mm H	
Capacity:	190 litres	
Temperature range:	+1°C / +10°C	
Features:	Fan assisted cooling	LED internal lighting
	Front vented, can be built into joinery etc	2 adjustable shelves per door
	2 x hinged, glass doors, with lock-SC182H	2 x sliding, glass doors with lock-SC182S
	Digital Controller	

\$1295



DELLWARE SC288H & SC288S Back Bar or Under Bench Chillers (Hinged and Sliding Doors)

Dimensions:	1355mm W x 525mm D x 870mm H	
Capacity:	288 litres	
Temperature range:	+1°C / +10°C	
Features:	Fan assisted cooling	LED internal lighting
	Front vented, can be built into joinery etc	2 adjustable shelves per door
	3 x hinged, glass doors, with lock-SC288H	3 x sliding, glass doors with lock-SC288S
	Digital Controller	

\$1895



CHILLERS - CUSTOM BOTTLE COOLERS AND KEG CABINETS

Remote Refrigeration (Hinged and Sliding Doors)

Dimensions:	1200mm - 3600mm
Doors:	2 - 6



Integral Refrigeration (Hinged and Sliding Doors)

Dimensions:	1500mm - 3600mm
Doors:	2 - 6



Custom Solutions: Pass-through



**Double Stack
Pass-through**

Keg Cabinets

Suitable for:
30L and 50L
kegs



ICCOLD FC-LD53A Single Door Chiller

Dimensions:	525mm W x 561mm D x 1573mm H	
Capacity:	220 litres	
Temperature range:	Chiller +1°C / +10°C	
Features:	Self Closing glass door with lock	LED Internal Lighting
	Digital Controller	4 adjustable shelves

\$995



PROCOOL UL400AL Single Door Chiller

Dimensions:	600mm W x 620mm D x 1925mm H	
Capacity:	377 litres	
Temperature range:	+1°C / +10°C	
Features:	Fan assisted cooling	Illuminated light box
	Self closing glass door with lock	4 adjustable shelves
	Digital Controller	LED Internal Lighting
	Bottom mounted refrigeration system	Castors Fitted (2 with Brakes)

\$1495



PROCOOL UL1000AL Double Door Chillers (Hinged Doors)

Dimensions:	1130mm W x 720mm D x 2020mm H	
Capacity:	920 Litres	
Temperature range:	+1°C / +10°C	
Features:	Bottom mounted refrigeration system	4 adjustable shelves per door
	Illuminated light box	LED Internal Lighting
	2 x hinged, self closing glass doors, with lock	Castors Fitted (2 with Brakes)
	Digital Controller	

\$2495



PROCOOL UL1000ALS Double Door Chillers (Sliding Doors)

Dimensions:	1130mm W x 720mm D x 2020mm H	
Capacity:	920 Litres	
Temperature range:	+1°C / +10°C	
Features:	Bottom mounted refrigeration system	4 adjustable shelves per door
	Illuminated light box	Vertical internal lights
	2 x sliding, self closing glass doors with lock	Castors Fitted (2 with Brakes)
	Digital Controller	

\$2495



CHILLERS - VERTICAL DISPLAY - BOTTOM MOUNTED



ICCOLD AU650 Single Door Chiller

Dimensions:	740mm W x 742mm D x 2195mm H	
Capacity:	650 litres	
Temperature range:	+1°C / +10°C	
Features:	Removable cassette refrigeration system	Illuminated light box
	Self closing glass door-Low E	5 adjustable shelves
	2 x Vertical LED lights	Digital Controller
	Castors Fitted (2 with Brakes)	

\$2795



ICCOLD AU1000 Double Door Chiller

Dimensions:	1130mm W x 742mm D x 2195mm H	
Capacity:	1000 litres	
Temperature range:	+1°C / +10°C	
Features:	Removable cassette refrigeration system	Self closing glass doors-Low E
	Illuminated light box	5 adjustable shelves per door
	2 x Vertical LED lights	Digital Controller
	Castors Fitted (2 with Brakes)	

\$3795



ICCOLD-FC BS75 Single Door Chiller

Dimensions:	750mm W x 710mm D x 2030mm H (without lightbox)	
Capacity:	650 litres	
Temperature range:	+1°C / +10°C	
Features:	Bottom Mounted Refrigeration system	Vertical LED lights
	Black Interior/Exterior	5 adjustable shelves
	Self closing glass doors	Digital Controller
	Castors Fitted (2 with Brakes)	Overall height with lightbox 2310mm
	Optional Illuminated light Box (280mm)	Power Supply 10 amps

\$1895

Optional Light Box
Add \$125



ICCOLD-FC BD126 Double Door Chiller

Dimensions:	1253mm W x 710mm D x 2030mm H (without lightbox)	
Capacity:	1000 litres	
Temperature range:	+1°C / +10°C	
Features:	Bottom Mounted Refrigeration system	Vertical LED lights
	Black Interior/Exterior	5 adjustable shelves
	Self closing glass doors	Digital Controller
	Castors Fitted (2 with Brakes)	Power Supply 10 amps
	Optional Illuminated light Box (280mm)	Overall height with lightbox 2310mm

\$2795

Optional Light Box Add \$175



ICCOLD-FC BT188 Triple Door Chiller

Dimensions:	1880mm W x 710mm D x 2030mm H (without lightbox)	
Capacity:	1530 litres	
Temperature range:	+1°C / +10°C	
Features:	Bottom Mounted Refrigeration system	Vertical LED lights
	Optional Illuminated light	5 adjustable shelves
	Self closing glass doors	Digital Controller
	Castors Fitted (4 with Brakes)	Power Supply 10 amps
	Black Interior/Exterior Box (280mm)	Overall height with lightbox 2310mm

\$3795

Optional Light Box Add \$205



FREEZERS - COUNTER TOP AND UNDER BENCH, STORAGE, SCOOP ICE CREAM AND GELATO

DELLWARE Counter Top Freezers

Range:	SD50	SD90
Dimensions:	570mm W x 530mm D x 540mm H	610mm W x 540mm D x 670mm H
Capacity:	50 litres	90 litres
Temperature range:	-18°C / -20°C	-18°C / -20°C
Features:	Static refrigeration	Self closing triple glazed glass door with lock
	Manual thermostat	LED internal light
	2 adjustable shelves - SD50	3 adjustable shelves - SD90



SD50 **\$895**



SD90 **\$1195**

UNIFRIGOR VNS/C014 Under Bench Freezer

Dimensions:	630mm W x 567mm D x 850mm H	
Capacity:	140 litres	
Temperature range:	-18°C / -20°C	
Features:	Static refrigeration-fan assisted	LED internal lighting
	Self closing heated glass door with lock	3 adjustable shelves GN 1/1 size
	Digital Controller	*Matches VPS/C014 chiller

\$1895



TEFCOLD UFF370SD Storage Freezer

Dimensions:	595mm W x 620mm D x 1835mm H	
Capacity:	270 litres	
Temperature range:	-14°C / -24°C	
Features:	Static refrigeration	6 x fixed shelves
	Solid door with lock	Digital temperature display
	Manual thermostat	

\$2495



FRIGRITE NLD1 Single Door Freezer

Dimensions:	600mm W x 750mm D x 2085mm H	
Capacity:	420 litres	
Temperature range:	-18°C / -22°C	
Features:	Fan forced refrigeration	2 x Vertical LED lights
	Illuminated light panel	5 adjustable shelves
	Self closing glass door	Digital Controller
	Castors fitted-2 with brake	

\$3695



FRAMEC SLANT 510 Scoop Ice Cream & Gelato Freezer

Dimensions:	1345mm W x 730mm D x 1230mm H	
Capacity:	10 x 5 Litre trays or 8 x 16 Litre +2 x 10 litre boxes	
Temperature range:	-14°C / -24°C	
Features:	Static cold-wall refrigeration	Flat glass canopy with internal light
	Sliding glass lids	Rear under storage compartment
	Castors fitted	Supplied complete with 10 x 5 litre rack frame
	Manual thermostat	

\$4295



FREEZERS - VERTICAL DISPLAY

ICCOLD AU650F Single Door Freezer

Dimensions:	740mm W x 742mm D x 2195mm H	
Capacity:	650 litres	
Temperature range:	-18°C / -22°C	
Features:	Removable cassette refrigeration system	2 x Vertical LED lights
	Illuminated light box	5 adjustable shelves
	Self closing glass door-Low E	Digital Controller
	Castors fitted-2 with brake	Matches AU650 Chiller

\$4250



ICCOLD AU1000F Double Door Freezer

Dimensions:	1130mm W x 742mm D x 2195mm H	
Capacity:	1000 litres	
Temperature range:	-18°C / -22°C	
Features:	Removable cassette refrigeration system	2 x Vertical LED lights
	Illuminated light box	5 adjustable shelves
	Self closing glass doors-Low E	Digital Controller
	Castors fitted-2 with brake	Matches AU1000 Chiller

\$6450



ICCOLD FD BS75AH Single Door Freezer

Dimensions:	750mm W x 710mm D x 2030mm H (without lightbox)	
Capacity:	650 litres	
Temperature range:	-18°C / -22°C	
Features:	Bottom Mount Refrigeration	Vertical LED lights
	Black Interior/Exterior	5 adjustable shelves
	Self closing glass doors	Digital Controller
	Castors fitted-2 with brake	Overall height with lightbox 2310mm
	Optional Illuminated light Box (280mm)	Power Supply 10 amps

\$3595

Optional Light Box Add \$125



ICCOLD FD BD126AH Double Door Freezer

Dimensions:	1253mm W x 710mm D x 2030mm H (without lightbox)	
Capacity:	1000 litres	
Temperature range:	-18°C / -22°C	
Features:	Bottom Mount Refrigeration	Vertical LED lights
	Black Interior/Exterior	5 adjustable shelves per door
	Self closing glass doors	Digital Controller
	Castors fitted-2 with brake	Overall height with lightbox 2310mm
	Optional Illuminated light Box (280mm)	Power Supply 15 amps

\$5250

Optional Light Box Add \$175



ICCOLD FD BT188AH Three Door Freezer

Dimensions:	1880mm W x 710mm D x 2030mm H (without lightbox)	
Capacity:	1530 litres	
Temperature range:	-18°C / -22°C	
Features:	Bottom Mount Refrigeration	Vertical LED lights
	Black Interior/Exterior	5 adjustable shelves per door
	Self closing glass doors	Digital Controller
	Castors fitted-2 with brake	Overall height with lightbox 2310mm
	Optional Illuminated light Box (280mm)	Power Supply 15 amps

\$7950

Optional Light Box Add \$205



SHARECOOL GN Horizontal Chiller Workbench

Dimensions:	700mm D x 850mm H	
Temperature range:	+2°C / +8°C	
Features:	Fan assisted refrigeration	2 adjustable shelves per door
	Stainless steel interior/ exterior and work-top	Digital Controller
	Castors fitted	Self closing solid door

GN1100TN 1200 long, 1 door, 250 litres, Shelf dim - 630 x 605

\$2550

GN2100TN 1360mm long, 2 doors, 260 litres, Shelf dim - 328 x 570

\$2950



GN3100TN 1795mm long, 3 doors, 400 litres, Shelf dim - 328 x 570

\$3850

GN4100TN 2230mm long, 4 doors, 540 litres, Shelf dim - 328 x 570

\$4160

SHARECOOL GN Horizontal Freezer Workbench

Dimensions:	700mm D x 850mm H	
Temperature range:	-18°C / -22°C	
Features:	Fan assisted refrigeration	2 adjustable shelves per door
	Stainless steel interior/ exterior and work-top	Digital Controller
	Castors fitted	Self closing solid door

GN1100BT, 1200 long, 1 door, 250 litres, Shelf dim - 630 x 605

\$2990

GN2100BT 1360mm long, 2 doors, 282 litres, Shelf dim - 328 x 570

\$3495



GN3100BT 1795mm long, 3 doors, 505 litres, Shelf dim - 328 x 570

\$4250

GN4100BT 2230mm long, 4 doors, 720 litres, Shelf dim - 328 x 570

\$4960

SHARECOOL GN650TN Vertical Single Door Chiller

Dimensions:	740mm W x 830mm D x 2040mm H	
Capacity:	580 litres	
Temperature range:	+2°C / +8°C	
Features:	Stainless steel interior/exterior	5 adjustable shelves 530mm W x 640mm D
	Self closing solid door	Digital Controller
	Castors fitted	

\$2995



SHARECOOL GN650BT Vertical Single Door Freezer

Dimensions:	740mm W x 830mm D x 2040mm H	
Capacity:	580 litres	
Temperature range:	-18°C / -22°C	
Features:	Stainless steel interior/exterior	5 adjustable shelves 530mm W x 640mm D
	Self closing solid door	Digital Controller
	Castors fitted	

\$3995



SHARECOOL GN1410TN Vertical Double Door Chiller

Dimensions:	1480mm W x 830mm D x 2040mm H	
Capacity:	1285 litres	
Temperature range:	+2°C / +8°C	
Features:	Stainless steel interior/exterior	5 adjustable shelves per door 530mm W x 640mm D
	Self closing solid doors	Digital Controller
	Castors fitted	

\$3950



SHARECOOL GN1410BT Vertical Double Door Freezer

Dimensions:	1480mm W x 830mm D x 2040mm H	
Capacity:	1285 litres	
Temperature range:	-18°C / -22°C	
Features:	Stainless steel interior/exterior	5 adjustable shelves per door 530mm W x 640mm D
	Self closing solid doors	Digital Controller
	Castors fitted	

\$5495



BLAST CHILLER / FREEZER

		BC-5T	BC-10T
Width	mm	725	725
Depth	mm	795	795
Height	mm	865	1400
Temperature	°C	+30°C / -32°C	+30°C / -32°C
Capacity		90 Litres 5 x GN 1/1 Pans or 400mm x 600mm Trays	188 Litres 10 x GN 1/1 Pans or 400mm x 600mm Trays
Power Supply		10 Amp	
Features		Castors Fitted	

\$5967



\$9135



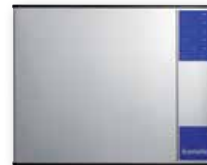
CS RANGE

Self Contained Cubed Ice
Daily Production Range: 23kgs - 7kgs
Storage Range: 82kgs - 42kgs



MC RANGE

Modular Head Units - Cubed Ice Daily Production Range:
138kgs - 431kgs



SF RANGE

Self Contained - Model SF 80
Daily Production Range: 84kgs
Storage: 20kgs



MF RANGE

Modular Head Units - Flake Ice
Daily Production Range: 114kgs - 315kgs



SB RANGE

Storage Bins to suit Modular Cubed and Flake Ice
Units Storage Capacity Range: 129kgs - 406kgs



TEFCOLD CF-S Horizontal Chest Freezer

Dimensions:	716mm D x 885mm H	
Temperature range:	-14°C / -24°C	
Features:	Stainless steel work-top	Handle with lock
	Manual thermostat	Display thermometer
	Castors fitted	



CF300S 1015mm long,
296 litres
\$1295

CF500S 1555mm long,
492 litres
\$1795

CF700S 2055mm long,
675 litres
\$2385

BAILI SD Horizontal Display Freezer

Dimensions:	936mm D x 770mm H	
Temperature range:	-18°C / -20°C	
Features:	Static, cold wall refrigeration	Glass sliding lids on rollers
	Lift out baskets	Digital temperature display
	Castors fitted	Manual thermostat



SD530 1536mm long,
530 litres
\$2550

SD750 2036mm long,
750 litres
\$2850

SD980 2536mm long,
980 litres
\$3350

GENERAL FUSHI VIRGIN Horizontal Trough-Dual Temperature Freezer/Chiller

Dimensions:	1040mm D x 945mm H	
Temperature range:	Freezer -18°C / -22°C	
Temperature range:	Chiller +1°C / +4°C	
Features:	Forced Draft-auto defrost refrigeration	Panorama Side Glass
	Digital Thermostat and Temperature display	Castors Fitted



VIS 1098SL-07,
2080mm long
\$6460

VIS 1098SL-08,
2580mm long
\$7650

ICCOLD ZCD Horizontal Auto Defrost Dual Temperature Freezer/Chiller

Dimensions:	850mm D x 930mm H	
Temperature range:	Freezer -18°C / -20°C	
Temperature range:	Chiller +1°C / +4°C	
Features:	Static refrigeration Auto defrost	LED internal lights
	Push-up lids	Angled display towards customer
	Robust internal racks	Digital Controller

ZCD-E185S (end case), 1850mm long
630 litres
\$3550

ZCD-L210S, 2100mm long
850 litres
\$3750

ZCD-L250S, 2500mm long
1000 litres
\$3995



Flexible location options-stand alone or line-up.
Trim and joining kits. Price on application.

SHARECOOL Café & Bakery Display Cabinets

Dimensions:	700mm D x 1350mm H	
Temperature range:	+2°C / +6°C	
Features:	Fan assisted refrigeration	LED top and shelf lighting
	Stainless steel base	3 adjustable shelves plus base shelf
	Double glazed front, side and top glass	Double glazed rear sliding doors
	Castors fitted - 2 with brake	Digital thermostat and temperature display
	Anti Fog System	



FSC09, 900mm Long FSC12, 1200mm Long FSC15, 1500mm Long FSC18, 1800mm Long
\$4605 \$5345 \$6345 \$7105

GENERAL VENICE INTEGRAL Serve-Over Cabinets

Dimensions:	1160mm D x 1230mm H	
Temperature range:	-1°C / +10°C	
Features:	Fan assisted refrigeration	Internal LED light
	Straight lift-up front glass	Black Exterior
	Stainless Steel Interior	Digital thermostat and temperature display
	Castors with Levelling Feet	



P04A, 1250mm Long P06A, 1875mm Long P08A, 2500mm Long P12A, 3750mm Long
\$5780 \$7450 \$8890 \$11,250

NEWGEN MD Heated Multi-Deck Food Display

Dimensions:	975mm D x 1905mm H	
Temperature range:	+65°C / +85°C	
Square Glass Features:	Heated fan assisted air curtain technology	Illuminated light panel
	Pre Heat Curtain	Top canopy lights
	3x stainless steel shelves plus base shelf	Panoramic glass end walls
	Castors fitted as standard - 2 with brake	Digital thermostat and temperature control



MD35, 360mm long MD60, 600mm long MD100, 1020mm long MD120, 1200mm long
\$7950 \$8875 \$10,850 \$12,750



Rotor counter top food display cabinets are a great cost effective solution for small footprint stores. Available in 3 sizes of chilled and 2 matching heated size options suitable to suit a variety of applications. Rotor cabinets have high class features at a fraction of the cost of other food display cabinet option such as stylish curved glass, LED lights and digital temperature displays.

All models simply plug-in to 10amp, 3 pin plug and are ready to start work.

RTW - Chilled Food Displays

REFRIGERATED COUNTER TOP DISPLAY - ROTOR RTW				
Model		RTW 105	RTW 120	RTW 160
Width including wall ends	mm	682	705	874
Depth	mm	450	568	468
Height	mm	675	685	685
Temperature	C°	0°C / +12°C		
Volume	Litres	105	120	160
Power	Amps	10	10	10
Pricing		\$1195	\$1495	\$1695



STANDARD FEATURES

- Internal LED Lighting
- Digital temperature control and display
- Adjustable chrome plated shelves
- Double glazed
- Sliding rear doors
- Automatic defrost

RTR - Heated Food Displays

HEATED COUNTER TOP DISPLAY - ROTOR RTR			
Model		RTR 120L	RTR 160L
Width including wall ends	mm	685	856
Depth	mm	568	568
Height	mm	685	670
Temperature	C°	+30°C / +90°C	
Volume	Litres	120	160
Power	Amps	10	10
Pricing		\$995	\$1295



STANDARD FEATURES

- Internal LED Lighting
- Digital temperature control and display
- Adjustable chrome plated shelves
- Sliding rear doors

MULTIDECK CHILLED - PASTORFRIGOR GENOVA

The **Genova Multi-deck** has unique features typical of a full size supermarket case but with the flexibility of integral (plug-in) refrigeration. Features such as the low height front, reduced canopy and full depth shelves allow for a larger display area than typical integral multi-decks.

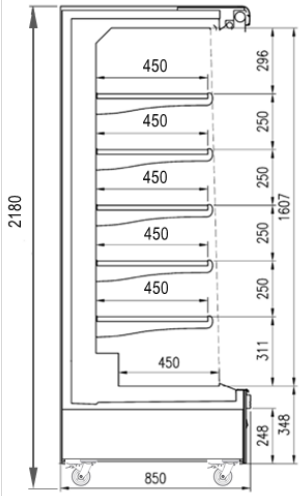
The **Genova Multi-deck** is available in 4 lengths and can be multiplexed (joined) to make a virtually seamless line-up.

GENOVA MULTI-DECK					
Model		GEN937	GEN1250	GEN1875	GEN2500
Width including wall ends	mm	1017	1330	1955	2580
Depth mm	mm	850			
Height mm (Including Castors)	mm	2180			
Temperature	C°	+2°C / +7°C			
Power	Amps	10	10	15	15
Pricing		\$8,950	\$10,550	\$13,990	\$17,250



STANDARD FEATURES

- Panoramic Glass Endwalls
- 5 Adjustable Shelves + Base
- Manual Night Blind
- Digital Thermometer & Electronic Controller
- Black External & Internal Colour Standard
- External and internal colour options available ex factory
- Grey PVC Bumper
- Led Shelf and T8 Canopy Lighting
- Hot Gas Defrost
- Scroll Compressor
- Slide Out Condensing Unit for ease of service
- Castors fitted



GENOVA OPTION - WITH DOORS, MATCHING FREEZER



CHILLER

FREEZER



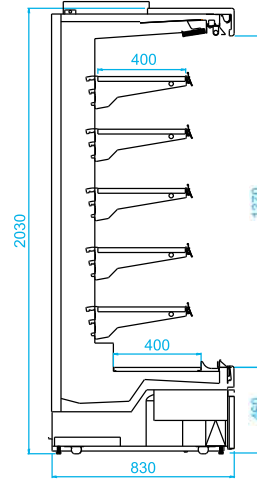
MULTIDECK CHILLED - VENCE

The Vence Multi-deck is a stylish but robust display cabinet suitable for many applications.

The low front creates a large, well-lit display area with top canopy and LED shelf lighting to each level.

Available in 3 lengths and suitable for a variety of product types including Fresh meat, Dairy and Produce.

VENCE - VVS1939D				
Model		R/P04A	R/P06A	R/P08A
Width including wall ends	mm	1330	1960	2580
Depth mm	mm	830		
Height mm	mm	2030		
Temperature	C°	+2°C / +7°C		
Power	Amps	10	10	15
Pricing		\$8,300	\$10,211	\$12,294



STANDARD FEATURES

- Panoramic Glass End Walls
- 5 Adjustable Shelves Plus Base
- Manual Night Blinds
- Digital Controller
- Black Interior / Exterior
- LED Shelf & Top Canopy Lighting
- Automatic Evaporation
- Castors Fitted



Modular Chiller and Freezer Glass door insert system for display coolrooms and freezer rooms. Frames are available in 1, 2, 3, 4 & 5 door modules and can be easily joined to make any combination of doors required.

All doors are reversible and can be LH or RH hinged. (LH Opening Standard). Self closing condensation free doors.

CHILLER DOORS - HEATED, DOUBLE GLAZED, ARGON FILLED						
Black Finish – Heated Frame – LED Mullion Lights with Transformer						
Doors		1 Door	2 Door	3 Door	4 Door	5 Door
Width	mm	760	1476	2204	2928	3660
Height	mm	1775				



COSELL GLASS DOOR INSERT SYSTEM ADVANTAGES

- Reduced energy costs, combination storage and display rooms can be built to allow rear loading of chilled or frozen product without the need for a separate refrigeration system
- Glass door displays are considerably more energy efficient than open front display cabinets
- Better space utilisation, expensive shop footprints can be better maximised using a vertical glass door display system

SHELVING - 5 SHELVES PER DOOR WITH TELESCOPIC POSTS										
Shelves supplied complete with brackets and front / rear stoppers										
Doors	1	2	3	4	5	6	7	8	9	10
Posts	2	3	4	5	6	8	9	10	11	12
Shelves	5	10	15	20	25	30	35	40	45	50



SHELVING

- Fully adjustable shelving system
- Telescopic posts, adjustable to suit the height of the room
- Standard 5 tiers per bay
- Robust, black powder-coat steel shelves 715mm wide x 585mm deep

GRAVITY FEED SHELVING SYSTEM

The patented 'Roller deck' and divider system simply sits on the shelf and the gradient of the product angle is adjusted through the shelf bracket. The CoSell Gravity Feed Shelving matches our existing shelving. Wire dividers, acrylic front and rear stoppers ensure that the products can be uniformly displayed, easily picked by the customer and quickly reloaded by staff.



Prices shown are for frames complete with doors.

CHILLER DOORS - HEATED, DOUBLE GLAZED		
OPENING	SIZE (WIDTH X HEIGHT)	PRICE
1 door frame	760mm x 1775mm	\$1345
2 door frame	1476mm x 1775mm	\$2025
3 door frame	2204mm x 1775mm	\$2977
4 door frame	2928mm x 1775mm	\$3866
5 door frame	3660mm x 1775mm	\$4725
Frames: Black finish, Heated frame, LED lights with transformer		

FREEZER DOORS - HEATED, TRIPLE GLAZED		
OPENING	SIZE (WIDTH X HEIGHT)	PRICE
1 door frame	760mm x 1775mm	\$1495
2 door frame	1476mm x 1775mm	\$2399
3 door frame	2204mm x 1775mm	\$3485
4 door frame	2928mm x 1775mm	\$4190
5 door frame	3660mm x 1775mm	\$5044
Frames: Black finish, Heated frame, LED lights with transformer		

All doors are reversible and can be LH or RH hinged. LH is standard hinging.

SHELVING

Prices shown are based on 5 adjustable shelves per door with telescopic posts.
Shelves supplied complete with brackets and front and rear stoppers. Price ticket strips not included.

CONTENTS		
1 door	2 posts, 5 shelves	\$730
2 door	3 posts, 10 shelves	\$1470
3 door	4 posts, 15 shelves	\$2150
4 door	5 posts, 20 shelves	\$2810
5 door	6 posts, 25 shelves	\$3551
6 door	8 posts, 30 shelves	\$4100
7 door	9 posts, 35 shelves	\$4820
8 door	10 posts, 40 shelves	\$5450
9 door	11 posts, 45 shelves	\$6130
10 door	12 posts, 50 shelves	\$6820

ADDITIONAL COMPONENT PRICES		
Extra shelf with brackets	Shelf with stoppers and 2 brackets	\$125
Price ticket holder	30mm high ticket strip, adhesive back, clear front	\$7.50
Gravity Shelf	Includes - roller deck, front and rear stoppers, 10 product dividers	\$195
Additional Wire product dividers		\$5.00





SECOND HAND HOSPITALITY EQUIPMENT

Co Sell Limited is proud to be the service and repair agent for Silver Chef, a leading hospitality equipment funder.

Silver Chef has a variety of quality ex-rental commercial hospitality equipment available for rental or purchase which has been professionally cleaned and serviced by us and is supplied with a 3 months parts and labour warranty.

There is always a wide range of equipment available such as deep fryers, ovens, coffee machines and dishwashers plus much more.

Contact us today to see the great range of quality ex-rental equipment we have in stock or visit our showroom at 210 Neilson Street, Onehunga, Auckland.



- Ovens
- Dishwashers
- Oven and Range
- Pizza Ovens
- Bakery Ovens
- Griddle
- Deep Fryers
- Contact Grills
- Coffee Machines
- Bakery Equipment
- Refrigerated Cabinets
- Hot Food Cabinets
- Yoghurt / Soft Serve Ice Cream machines

**FLEXIBLE EQUIPMENT
FUNDING SOLUTIONS TO**
Grow your business

Whether you are a small family restaurant, franchise group or catering service, securing the equipment you need can be a considerable upfront cost.

Silver Chef's Rent-Try-Buy solution is a 12-month agreement that lets you try before you buy and save your working capital rather than spending it on depreciating assets.

You have the option to upgrade your equipment at any time or purchase and receive a 50% gross rental rebate or return the equipment at the end of 12 months if it isn't right for you.

It reduces your risk so you can turn your hospitality dream into a reality.

Visit Silver Chef at www.silverchef.co.nz to get started today!



Co Sell are proud to represent General Fushi as the exclusive agent for their full range of Supermarket and Convenience store cabinets.

General Fushi are a leading edge manufacturer and trusted supplier to some of the world's largest supermarket chains including Walmart, Tesco and 7/11. A recent development is a partnership with Alibaba who have built more than 100 new technology based Hypermarket stores in China in the last 2 years.



In addition to supermarket display cabinets General Fushi also specializes in the manufacture of compressor racks, heat exchangers and other specialty refrigeration equipment. They have significant experience in the supply and installation of Water Cooling systems (water-loop) for Supermarkets.



General Fushi cabinets are built using leading brand, quality components, machinery and techniques. They have 4 certified in-house testing laboratories and a team of quality engineers to ensure that all equipment meets the required AS/NZ market standards including MEPS (Minimum Energy Performance Standards).

All General Fushi cases are built to minimise running costs utilising energy-efficient coils and EC fan motors for optimum performance. Options such as display doors for multi-deck cabinets are a standard solution. The combination of durable construction with quality components and engineering ensures a long, commercial life for all General Fushi equipment supplied by Co Sell.

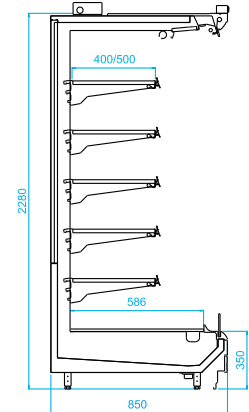
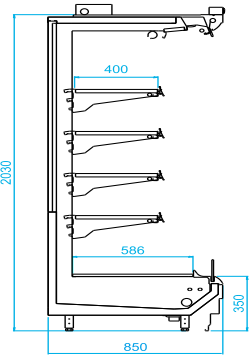


STANDARD FEATURES

- 5 Adjustable Shelves Plus Base
- EC Fan energy efficient motors
- Manual - slow release night-blinds
- Digital Temperature Control & Display
- LED, Shelf and Canopy lighting
- Shelf Fences and Price Ticket trips
- Standard Colour - Black Interior
- Standard Colour - Black Exterior
- Robust Trolley Bumpers

OPTIONS

- D= Dairy +1°C / +4°C
- M = Meat -1°C / +1°C
- 2 heights - 2030mm and 2280mm
- Top Mirrors
- Hang Sell Bars and Prongs
- White Interior - Ex Factory
- External decor panels painted to suit Ex Factory
- Solid Mirror End Walls (40mm)
- Panoramic Glass End Walls (40mm)
- Multiplex joining to make display line ups
- Stainless Steel Trolley Bumpers



	Model	Dimension/mm
	VVN2035D/M-R04C	1250 x 850 x 2030
	VVN2035D/M-R06C	1875 x 850 x 2030
	VVN2035D/M-R08C	2500 x 850 x 2030
	VVN2035D/M-R012C	3750 x 850 x 2030
2.0m	VVN2035D/M-RECC	1875 x 850 x 2030

	Model	Dimension/mm
	VVN2235D/M-R04C	1250 x 850 x 2280
	VVN2235D/M-R06C	1875 x 850 x 2280
	VVN2235D/M-R08C	2500 x 850 x 2280
	VVN2235D/M-R012C	3750 x 850 x 2280
2.2m	VVN2235D/M-RECC	1875 x 850 x 2280

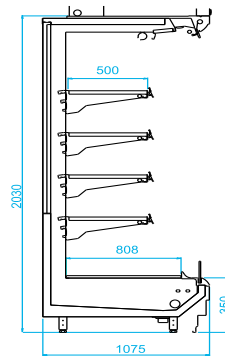


STANDARD FEATURES

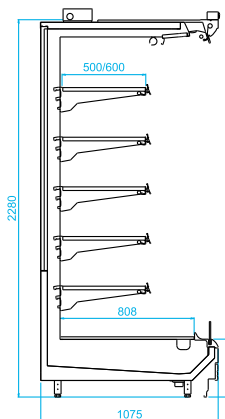
- 5 Adjustable Shelves Plus Base
- EC Fan energy efficient motors
- Manual - slow release night-blinds
- Digital Temperature Control & Display
- LED, Shelf and Canopy lighting
- Shelf Fences and Price Ticket trips
- Standard Colour - Black Interior
- Standard Colour - Black Exterior
- Robust Trolley Bumpers

OPTIONS

- D= Dairy +1°C / +4°C
- M = Meat -1°C / +1°C
- 2 heights - 2030mm and 2280mm
- Top Mirrors
- Hang Sell Bars and Prongs
- White Interior - Ex Factory
- External decor panels painted to suit Ex Factory
- Solid Mirror End Walls (40mm)
- Panoramic Glass End Walls (40mm)
- Multiplex joining to make display line ups
- Stainless Steel Trolley Bumpers



	Model	Dimension/mm
	VVW2035D/M-R04C	1250 x 1075 x 2030
	VVW2035D/M-R06C	1875 x 1075 x 2030
	VVW2035D/M-R08C	2500 x 1075 x 2030
	VVW2035D/M-R012C	3750 x 1075 x 2030
2.0m	VVW2035D/M-RECC	2190 x 1075 x 2030



	Model	Dimension/mm
	VVW2235D/M-R04C	1250 x 1075 x 2280
	VVW2235D/M-R06C	1875 x 1075 x 2280
	VVW2235D/M-R08C	2500 x 1075 x 2280
	VVW2235D/M-R012C	3750 x 1075 x 2280
2.2m	VVW2235D/M-RECC	2190 x 1075 x 2280



DL-DELI AND MT-MEAT

GENERALFUSHI

Vienna Series

STANDARD FEATURES

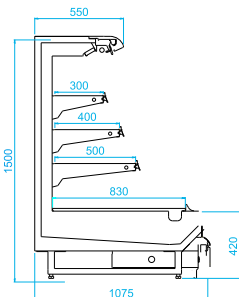
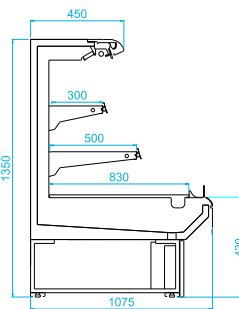
- EC Fan energy efficient motors
- Manual slow release night blinds
- Digital temperature display
- LED Shelf and Canopy Lighting
- Shelf Fences and Price Ticket
- Strips
- Standard Colour - Black Interior
- Standard Colour - Black Exterior
- Trolley Bumpers
- Robust Trolley Bumpers

OPTIONS

- 2 Heights:
 - 1350mm, 3 tier
 - 1500mm, 4 tier
- D= Dairy +1°C / +4°C
- M = Meat -1°C / +1°C
- Top Mirrors
- White Interior - Ex Factory
- External décor panels painted to suit ex Factory
- Solid Mirror End Walls (40mm)
- Panoramic Glass End Walls (40mm)
- Narrow 850mm deep Model
- Multiplex joining to make display Island and
- Line ups
- Stainless Steel trolley Bumpers



Option with Doors



3 Tier

Model	Dimension/mm
VVW1342D/M-R04C	1250 x 1075 x 1350
VVW1342D/M-R06C	1875 x 1075 x 1350
VVW1342D/M-R08C	2500 x 1075 x 1350
VVW1342D/M-R012C	3750 x 1075 x 1350
VVW1342D/M-RECC	2380 x 1075 x 1350

4 Tier

Model	Dimension/mm
VVW1542D/M-R04C	1250 x 1075 x 1500
VVW1542D/M-R06C	1875 x 1075 x 1500
VVW1542D/M-R08C	2500 x 1075 x 1500
VVW1542D/M-R012C	3750 x 1075 x 1500
VVW1542D/M-RECC	2380 x 1075 x 1500



STANDARD FEATURES

- EC Fan energy efficient motors
- Digital Temperature Display
- Heated self closing glass doors
- Vertical LED Mullion Lighting
- Standard Colour - Black Interior
- Standard Colour - Black Exterior
- Stainless Steel Trolley Bumpers
- Robust Trolley Bumpers

OPTIONS

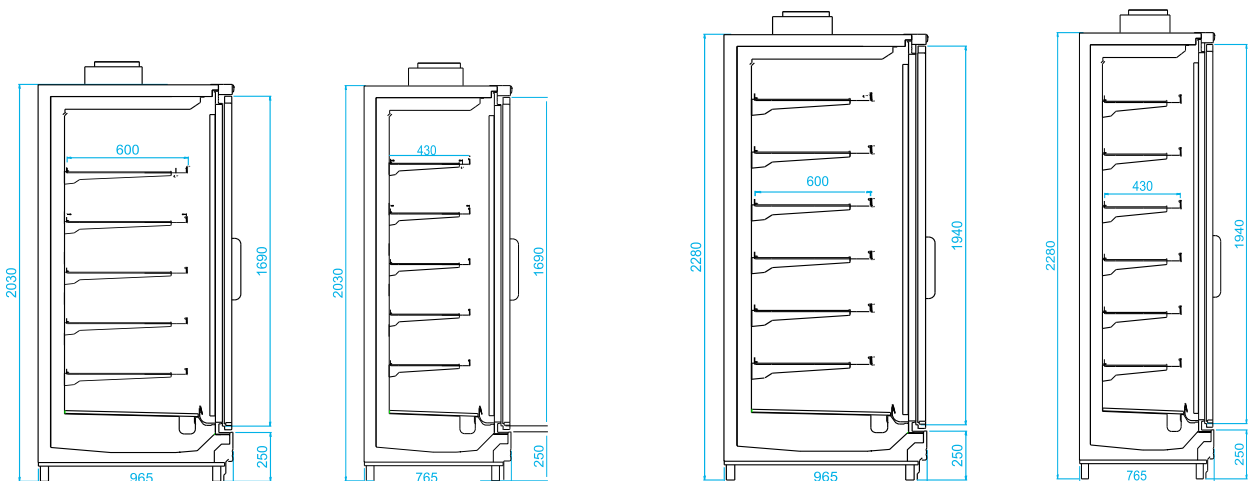
- L - Glass Door Freezer version
- D - Glass Door Chiller version
- Available in 2 heights 2030mm or 2280mm
- Available in 2 widths 765mm or 965mm
- White Interior ex factory
- External decor panels painted to suit ex factory
- Multiplex joining to make display line ups
- Solid End Wall (40mm)
- Stainless Steel Trolley Bumpers



Models: L = Freezer / D = Chiller

Wide	Dimension/mm	Height Option
VGW20L/D-R2DB (2 Door)	1500 x 965 x 2030	2280
VGW20L/D-R3DB (3 Door)	2250 x 965 x 2030	2280
VGW20L/D-R4DB (4 Door)	2500 x 965 x 2030	2280
VGW20L/D-R5DB (5 Door)	3750 x 965 x 2030	2280

Wide	Dimension/mm	Height Option
VGN20L-R2DB (2 Door)	1500 x 765 x 2030	2280
VGN20L-R3DB (3 Door)	2250 x 765 x 2030	2280
VGN20L-R4DB (4 Door)	3000 x 765 x 2030	2280
VGN20L-R5DB (5 Door)	3750 x 765 x 2030	2280

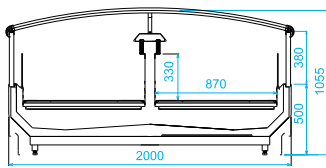


STANDARD FEATURES

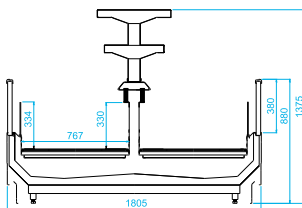
- Wide Island Supermarket style cabinet for connection to remote refrigeration system
- Energy Efficient EC Fans
- Adjustable Internal Racks
- Digital Temperature Display
- Robust Trolley Bumpers
- Can be multiplexed (joined) to make display line up seamlessly

OPTIONS

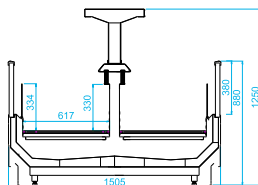
- Glass Sliding Lids
- 4 Width Options
- Wrap Around Matching Crown End Cabinet
- Black or White Interior
- Exterior Decor panels painted to suit ex-factory
- Solid or Panoramic View End Wall Options (40mm)
- Solid Walls Option
- Stainless Steel Trolley Bumpers
- Interior Dividers



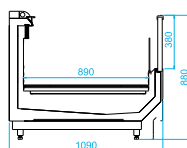
Model	Dimension/mm
VIW2088L-R06A	1875 x 2000 x 880
VIW2088L-R08A	2500 x 2000 x 880
VIW2088L-R12A	3750 x 2000 x 880
VIW2088L-RUCA	2000 x 1090 x 880



Model	Dimension/mm
VIW1888L-R06A	1875 x 1800 x 880
VIW1888L-R08A	2500 x 1800 x 880
VIW1888L-R12A	3750 x 1800 x 880
VIW1888L-RUCA	1800 x 1090 x 880



Model	Dimension/mm
VIW1588L-R06A	1875 x 1500 x 880
VIW1588L-R08A	2500 x 1500 x 880
VIW1588L-R12A	3750 x 1500 x 880
VIW1588L-RUCA	1500 x 1090 x 880



Model	Dimension/mm
VIS1188L-R06A	1875 x 1090 x 880
VIS1188L-R08A	2500 x 1090 x 880
VIS1188L-R12A	3750 x 1090 x 880
VIS1188L-RUCA	2285 x 1090 x 880



REMOTE SERVE-OVER CABINETS

DL-DELI, MT-MEAT AND F-FISH

GENERALFUSHI

Venice and Venus Series

STANDARD FEATURES

- Supermarket cabinet for connection to remote refrigeration system
- Straight Lift up front glass Serve-over
- Ventilated Refrigeration
- LED Internal Lighting
- Can be multiplexed (joined) to make display line up seamlessly
- Stainless Steel Interior Racks
- Rear Sliding Doors
- Digital Thermostat and Temperature Display

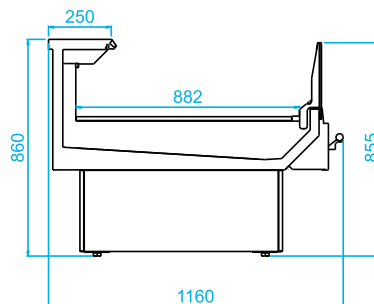
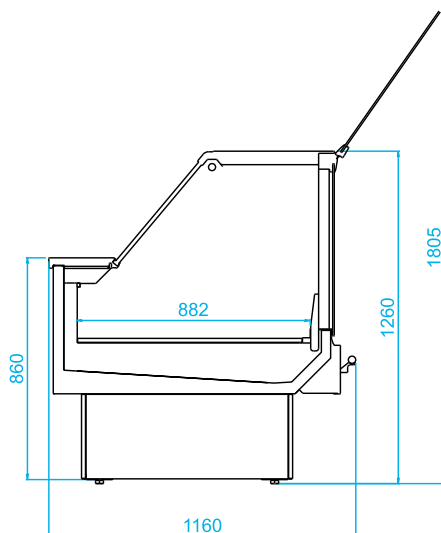


OPTIONS

- Black or White Interior
- External decor panels painted to suit ex Factory
- Solid Mirror End Walls (40mm)
- Panoramic Glass End Walls (40mm)
- Plug-In Integral Version Available
- Curved Front Glass
- Pedestal Base Option
- Scale Platform
- Stainless Steel Trolley Bumpers



Model	Dimension/mm
VSGBJM-R/P04VA	1250 x 1160 x 1260
VSGBJM-R/P06VA	1875 x 1160 x 1260
VSGBJM-R/P08VA	2500 x 1160 x 1260
VSGBJM-R/P12VA	3750 x 1075 x 1260
VSGBJM-R/PLOAVA	1690 x 1075 x 1260
VSGBJM-R/PVIAVA	1137 x 1293 x 1260



Venus - Self Service Option

Curved Front pedestal Option



SPECIALTY DISPLAY

CROWN END OR CHEESE ISLAND

GENERALFUSHI

Villa Series

STANDARD FEATURES

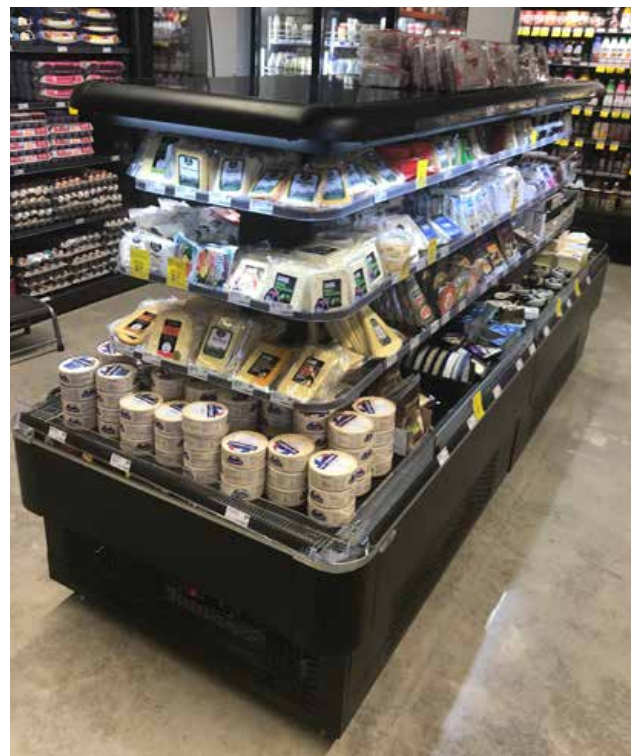
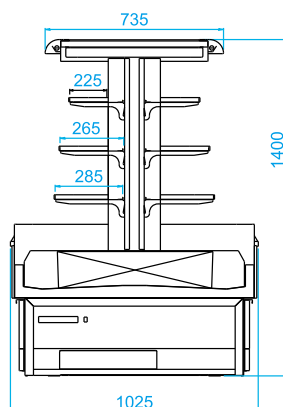
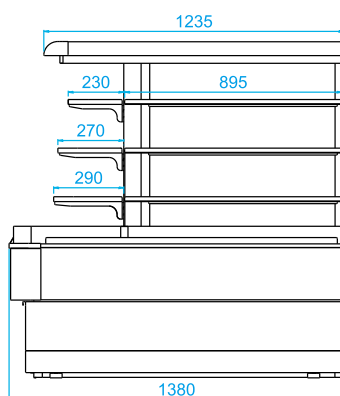
- EC Fan energy efficient motors
- Manual slow release night blinds
- Digital temperature display
- LED Shelf and Canopy Lighting
- Shelf Fences and Price Ticket Strips
- Standard Colour - Black Interior
- Standard Colour - Black Exterior

OPTIONS

- Integral or Remote Refrigeration
- Single Crown End or Join 2 cases to make Island Display
- White Interior - Ex Factory
- External décor panels painted to suit ex Factory



Model	Dimension/mm
VVB1456D	1380 x 1025 x 1400



Essentec Refrigeration Co is a leading manufacturer of compact packaged type condensing units suitable for Medium temperature and Freezer temperature applications. Essentec use leading technology for the construction of their equipment and choose only quality refrigeration components from the worlds leading manufacturers including Danfoss, Coupland, Tecumseh, ABB & EBM.



MT - MEDIUM		Nominal Capacity Conditions -5°C SST, 30°C Ambient, 20°C Suction					
Part #	Nominal HP	Capacity Kw Nom	Dimensions			Weight	Retail Price
MEDIUM TEMPERATURE			W	D	H	Kg	
EI100DGM/H-B	1	1.93	1030	380	700	50	\$3,278
EI150DGM/H-B	1.5	2.41	1030	380	700	50	\$3,515
EI250DGM/H-B	2.5	5.0	1030	380	700	72	\$4,125
EI350DGM/H-B	3.5	6.8	1120	430	800	80	\$4,895
EI500SGM/H-B	5	10.6	1120	430	1255	105	\$5,808
EI600SGM/H-B	6	12.5	1120	430	1255	110	\$6,240
EI800SGM/H-B	8	16.5	1380	480	1315	130	\$8,425
EI1000SGM/H-B	10	21.7	1470	510	1360	145	\$9,295

Other sizes available upon request - POA



LT - LOW		Nominal Capacity Conditions -25°C SST, 30°C Ambient, 20°C Suction					
Part #	Nominal HP	Capacity Kw Nom	Dimensions			Weight	Retail Price
LOW TEMPERATURE			W	D	H	Kg	
EI200DGL-B-D	2	2.18	1030	380	700	70	\$5,220
EI300DGL-B-D	3	2.95	1120	430	800	80	\$5,830
EI600SGL-B-D	6	5.24	1120	430	1255	110	\$7,940
EI900SGL-B-D	9	9.2	1470	510	1360	165	\$9,995
EI1200SGL-B-D	12	12.5	1470	510	1360	190	\$11,495

Other sizes available upon request - POA

DG = 1 Phase SG = 3 Phase M = Medium Temp L = Low Temp

Technical specifications may change without notice.
 DC Fan Motor in models 100 to 800, AC Fan Motors in models 900 to 1200.
 Multi functional PCB Board with LED display gives the unit ability to operate with functions such as thermostat or a pump down cycle.
 Pump down function optional. Fan speed controlled by actual system load.

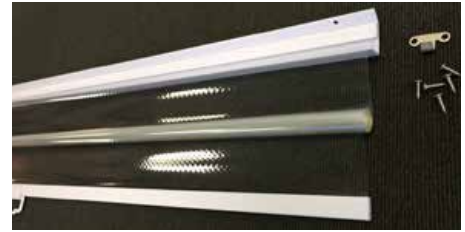
Units complete with as standard - filter drier, receiver, pressure relief valve, sightglass, HP/LP pressure switches, oil separator, service valves, HP&LP service gauges, crankcase heater, electrical isolater switch, contactor & overload, PCB & electrical components fully wired.
 Suction accumulator and liquid line solenoid valve on LT Units only.



ENERGY SAVING NIGHT BLINDS

PVC1220 Night Blinds \$129

Dimensions:	1220mm long x 1800mm drop
Features:	PVC Double action manual night blind Easy fit system suitable for most models of multidecks Other sizes options available- POA



PET1242 Night Blinds \$179

Dimensions:	1242mm long x 1800mm drop
Features:	PET-Aluminium manual slow release night blind Easy fit system suitable for most models of multidecks Other sizes options available- POA



DIGITAL TEMPERATURE CONTROLLERS

PJZC00000 Carel-Easy \$175

Dimensions:	71mm x 29mm Standard mounting size
Applications:	Coolrooms/Freezer rooms, Chiller & Freezer cabinets
Features:	2 x Temperature probes Power Supply 240 Vac 3 relays, Compressor 8 Amps, Defrost 8 Amps, Fans 8 Amps 2 x NTC temp probe inputs 1 digital or 3rd NTC temp probe input Internal audible alarm



ECB1000Q ELITECH - MULTI ELECTRIC CONTROL BOX \$319

Dimensions:	262mm L x 190mm H x 85mm D Standard mounting size
Applications:	ECB-1000Q is widely used for the small and medium size cold storage, with the function of refrigeration, defrost, fan, light control, alarm and time display.
Features:	Temperature measuring range -50°~99°C Power Supply 220 Vac Relay capacity of Compressor 50A/240VAC Max Alarm 5A/220VAC storage temperature Operating temperature -5°C~60°C Sensor Type: NTC(10KΩ/25°C,B-3435K)



The Co Sell LED Lighting System can be easily retrofitted into an existing door insert.

Upgrading from fluorescent tubes to Energy Efficient, Bright LED's makes sound commercial sense and will lift the quality of your display.



24 Watt Twin Middle LED

14 Watt Single LED



1500mm long



Meanwell LED driver

LED LIGHT COMBO'S		
1 door	2 x LED Tubes, 1 x Driver	\$243
2 door	3 x LED Tubes, 1 x Driver	\$436
3 door	4 x LED Tubes, 1 x Driver	\$561
4 door	5 x LED Tubes, 1 x Driver	\$758
5 door	6 x LED Tubes, 1 x Driver	\$883
6 door	8 x LED Tubes, 2 x Driver	\$1182
7 door	9 x LED Tubes, 2 x Driver	\$1320
8 door	10 x LED Tubes, 2 x Driver	\$1458
9 door	11 x LED Tubes, 2 x Driver	\$1642
10 door	12 x LED Tubes, 2 x Driver	\$1826

Coolrooms and Freezer Rooms

Co Sell design, supply and install Coolrooms and Freezer rooms for a variety of applications such as:

- Display Coolrooms and Freezers: Liquor stores, Convenience and Specialty food stores
- Storage Coolrooms and Freezers: Hospitality, Manufacturers and Wholesalers
- Specialty Temperature and humidification rooms
- Blast Chillers and Freezers
- Kitset Coolrooms and Freezers



Service and Installation

Our team of skilled technicians install, service and maintain all of the equipment that we sell. We provide 24 hour/7 day service and partner with the best regional service companies to provide our customers with nationwide service.



We offer comprehensive maintenance services to look after your equipment investment and keep it running as efficiently as possible.

Rentals and Finance

We can offer a variety of options for rental, lease and finance on our equipment to suit our customers requirements. Let us know your needs and we'll find the best solution to suit.

Branded Promotional Chillers and Freezers



Specialty Products

If you cant find what you're looking for in this catalogue please contact us and we'll let you know what options may be available from our extensive supplier network. We look forward to your enquiry.

Hotel/Motel Mini Bar Fridges

Export

Co Sell regularly supplies refrigeration equipment and expertise to customers throughout the Pacific Islands.



Care is taken to select the correct solution for the prevailing ambient conditions.

Terms and Conditions

Prices shown are ex Auckland and exclude freight and installation unless otherwise stated.

Specialty Products

Warranty

Conditional 12 months parts and labour.

General

Co Sell endeavours to keep technical product information current. Our manufacturers however are making continual improvements to their products and some specifications may change without notice and without Co Sell incurring any obligation.





